

Model ATS- Armored Tubular Sight Gage

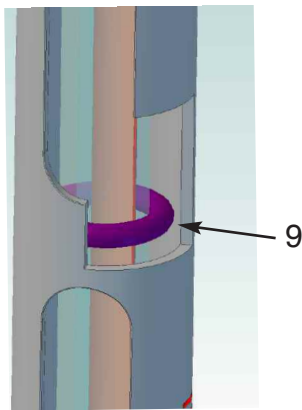
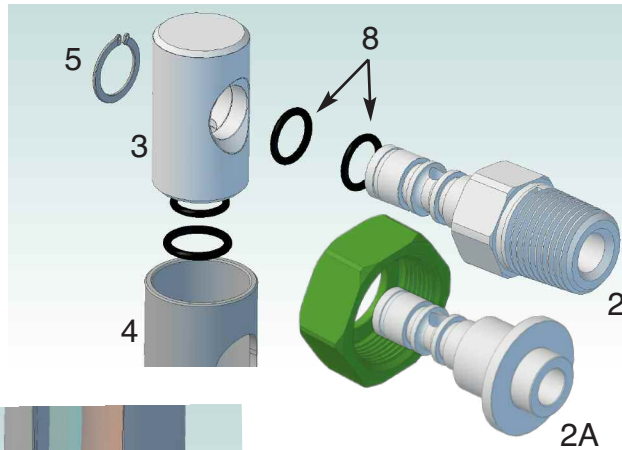
Direct Connect to tank w NPT... or join to Model 12T valves

> 12" C-C 300 PSI @150°F / 150 PSI @ 400°F non-steam

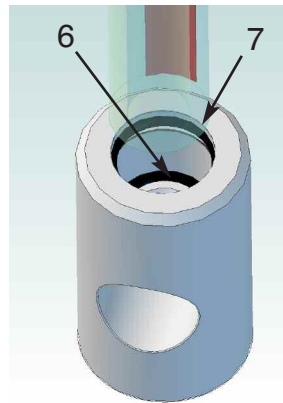
< 12" C-C 400 PSI @150°F / 300 PSI @ 400°F non-steam



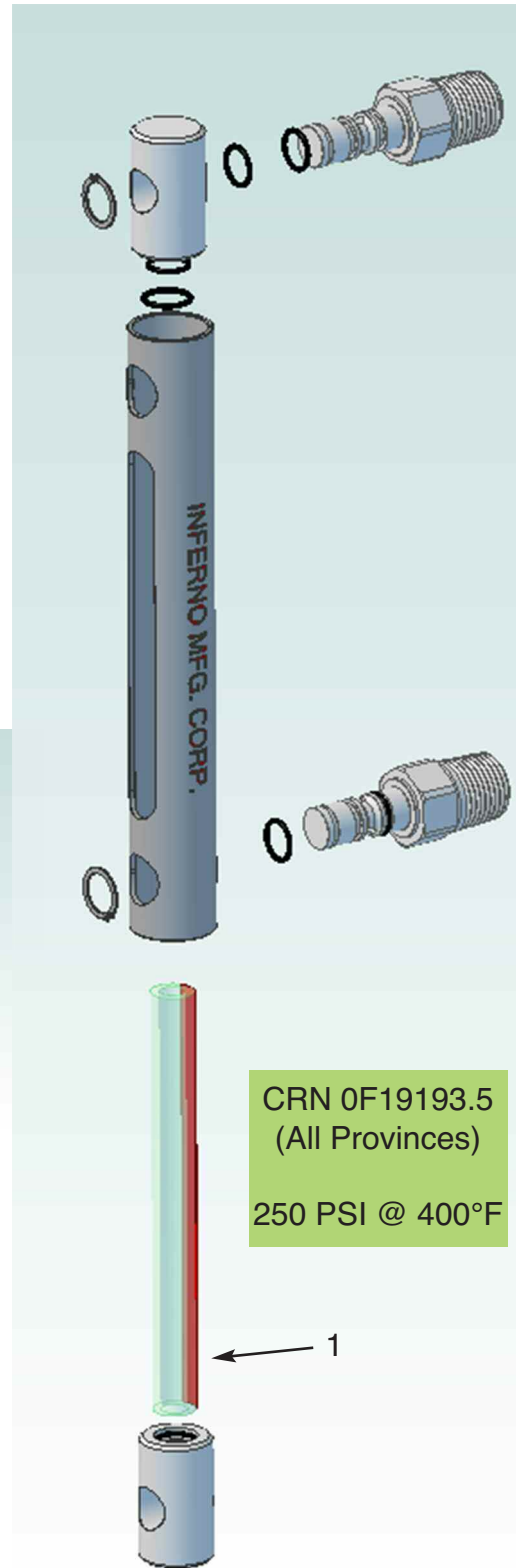
Model 6.00 ATS
Direct Connect,
with 1/2" M-NPT
vessel connections
on 6"
centers



Stabilizer (9)- used
on Armor with more
than one window
where C-C > 16"



Insert- Glass Seal (7)
and end Bumper (6)



CRN 0F19193.5
(All Provinces)

250 PSI @ 400°F

View Length = C-C less 1.6"

Item	Description	Size	Material
1	Sight Tube	1/2" Ø x 3/32" . Red Line	Borosilicate Glass
2	Swivel	1/2" M-NPT	T316 SS
2A	Swivel for 12T		T316 SS
3	Insert		T316 SS
4	Armor	1" Ø	T304 SS
5	Retainer Clip		17-7 PH SS
6	Bumper	2-012	Viton
7	Glass Seal	3-906	Viton
8	Swivel Seal	2-012	Viton
9	Stabilizer	2-205	Viton

Inferno Mfg Corp
Model ATS Armored Tubular Sight
Glass Gage
Drawing A161759
Rev.: A Date: 3-16-16
Rev. Date: 2-14-18