



## 20-200: HEAVY PATTERN BRONZE WATER GAUGES

### OVERVIEW

All standard 20 Series features but with a heavier valve body pattern for higher service ratings.



### FEATURES

- Available with 3/8", 1/2" and 3/4" MNPT fittings
- Ball checks standard on **20-250** models
- Rated: 200 psig @ 400°F, 400 psig @ 100°F (See note!)
- CRN Registered OF6616.5C

Part Number	Pipe Size (in.)	Glass O.D. & Length	Wt./100 (lbs.)	Wheel Type
20-201	3/8	5/8 x 10	185	ALUMINUM
20-202	3/8	5/8 x 10	189	COMPOSITION
20-204	1/2	5/8 x 12	205	ALUMINUM
20-205	1/2	5/8 x 12	205	COMPOSITION
20-207	3/4	3/4 x 16	270	ALUMINUM
20-208	3/4	3/4 x 16	270	COMPOSITION
20-250*	1/2	5/8 x 12	195	ALUMINUM
20-251*	1/2	5/8 x 12	200	COMPOSITION
20-253*	3/4	3/4 x 16	355	ALUMINUM
20-254*	3/4	3/4 x 16	360	COMPOSITION

*Note: Service ratings are subject to pressure/temperature ratings of gauge glass and glass gaskets.  
\* Automatic ball valves*

### OPTIONS

Suffix Number	Specification
-00	Standard gauge w/ standard glass & rod
-01	Top only
-02	Bottom only
-03	Standard gauge less glass & rod
-10	For special gauges w/ non-standard glass and rod lengths



Job Name:	
Job Location:	
Engineer:	
Contractor:	
Tag:	
PO#:	
Rep:	
Wholesale Dist.:	

### DESCRIPTION

The Apollo® 20 series bronze water gauges are for use on all types of liquid level verification. Gauge sets are available in many variations including heavy body patterns for higher service ratings and aluminum or plastic composite handles. Sight glass is available in any length up to 72 inches. Standard set includes top and bottom valves, glass and rods.

### FEATURES

- Coated Steel Guard Rods included.
- 1/4" Drain Valve Standard
- Sizes 3/8", 1/2", 3/4" (20-2/300 only)
- Canadian Registration OF6616.5C
- Meets ASME Design requirements
- **Made in USA**

### PERFORMANCE RATING

- 20-100: 125 psig @ 350°F, 300 psig @ 100°F
- 20-200: 200 psig @ 400°F, 400 psig @ 100°F
- 20-300: 200 psig @ 400°F, 400 psig @ 100°F  
(Subject to the limitation of the gauge glass)

### STANDARD MATERIALS LIST

<b>BODY</b>	ASTM B584 C84400 Bronze
	ASTM B584 C89836 (20-100 LF only)
	ASTM B16 Brass (20-300 only)
<b>DRAIN BODY</b>	ASTM B16 Brass
<b>STEM</b>	ASTM B16 Brass
<b>GLAND NUT</b>	ASTM B16 Brass
<b>PACKING NUT</b>	ASTM B16 Brass
<b>STEM PACKING</b>	TFE w/Hypalon
<b>GLASS PACKING</b>	EPDM
<b>RODS</b>	Steel
	CDA C27451 (20-100 LF only)

### PART NUMBERS

PIPE SIZE (IN.)	GLASS O.D. & LENGTH	WHEEL	STANDARD GAUGE PART NUMBER	TOP ONLY	BOTTOM ONLY	STANDARD GAUGE LESS GLASS & ROD	SPECIAL GAUGES WITH NON STANDARD LENGTHS**
<b>STANDARD MATERIALS</b>							
3/8"	5/8" x 10"	Aluminum	20-101-00	20-101-01	20-101-02	20-101-03	20-101-10
3/8"	5/8" x 10"	Composite	20-102-00	20-102-01	20-102-02	20-102-03	20-102-10
1/2"	5/8" x 12"	Aluminum	20-104-00	20-104-01	20-104-02	20-104-03	20-104-10
1/2"	5/8" x 12"	Composite	20-105-00	20-105-01	20-105-02	20-105-03	20-105-10
1/2"	5/8" x 12"	Aluminum	20-150-00*	20-150-01*	20-150-02*	20-150-03*	20-150-10*
1/2"	5/8" x 12"	Composite	20-151-00*	20-151-01*	20-151-02*	20-151-03*	20-151-10*
<b>LEAD FREE</b>							
1/2"	5/8" x 12"	Aluminum	20LF-104-00	20LF-104-01	20LF-104-02	20LF-104-03	20LF-104-10
1/2"	5/8" x 12"	Composite	20LF-105-00	20LF-105-01	20LF-105-02	20LF-105-03	20LF-105-10

\*Automatic Ball Valves

\*\*Contact Customer Support for Details

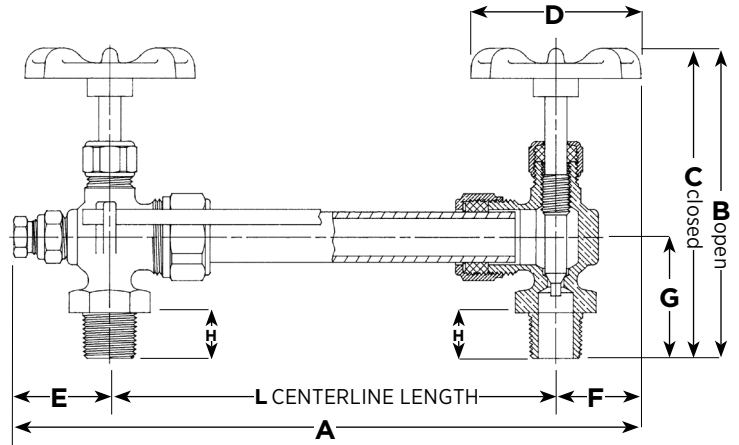
\*LEAD FREE: The wetted surfaces of this product shall contain no more than 0.25% lead by weighted average. Complies with Federal Public Law 111-380. ANSI 3rd party approved and listed.

### DIMENSIONS

- A - Overall length is found by adding this to dimension "L"
- B - Valve open total depth
- C - Valve closed total depth
- D - Handle diameter
- E - Maximum extension below lower arm centerline
- F - Maximum extension above upper arm centerline
- G - End of arm NPT to centerline of glass
- H - End of arm NPT to hex shoulder
- L - Centerline Length

Glass Length is "L" minus GL code

Rod Length is glass length plus RL code



VALVE	PIPE SIZE	A	B	C	D	E	F	G	H	DEFAULT L	DEFAULT GLASS LENGTH	GL CODE	RL CODE
20-101	3/8	2.3	4.1	3.8	2.1	1.25	1.07	1.50	0.56	11.25	10	1.25	2
20-102	3/8	2.3	4.3	4.1	2.0	1.25	1.00	1.50	0.56	11.25	10	1.25	2
20-104	1/2	2.3	4.2	3.9	2.1	1.25	1.07	1.63	0.69	13.25	12	1.25	2
20LF-104	1/2	2.3	4.2	3.9	2.1	1.25	1.07	1.63	0.69	13.25	12	1.25	2
20-105	1/2	2.3	4.4	4.2	2.0	1.25	1.00	1.63	0.69	13.25	12	1.25	2
20LF-105	1/2	2.3	4.4	4.2	2.0	1.25	1.00	1.63	0.69	13.25	12	1.25	2
20-150*	1/2	2.3	4.2	3.9	2.1	1.25	1.07	1.63	0.69	13.25	12	1.25	2
20-151*	1/2	2.3	4.4	4.2	2.0	1.25	1.00	1.63	0.69	13.25	12	1.25	2
20-201	3/8	2.4	4.4	4.2	2.1	1.38	1.07	1.69	0.56	11.25	10	1.25	2
20-202	3/8	2.4	4.4	4.1	2.0	1.38	1.00	1.69	0.56	11.25	10	1.25	2
20-204	1/2	2.4	4.6	4.3	2.1	1.38	1.07	1.81	0.69	13.25	12	1.25	2
20-205	1/2	2.4	4.5	4.3	2.0	1.38	1.00	1.81	0.69	13.25	12	1.25	2
20-207	3/4	2.4	4.9	4.6	2.1	1.38	1.07	2.05	0.75	17.50	16	1.50	2.25
20-208	3/4	2.4	5.1	4.8	2.0	1.38	1.00	2.05	0.75	17.5	16	1.50	2.25
20-250	1/2	2.4	4.6	4.3	2.1	1.38	1.07	1.81	0.69	13.25	12	1.25	2
20-251*	1/2	2.4	4.5	4.3	2.0	1.38	1.00	1.81	0.69	13.25	12	1.25	2
20-253*	3/4	2.4	4.9	4.6	2.1	1.38	1.07	2.05	0.75	17.50	16	1.50	2.25
20-254*	3/4	2.4	5.1	4.8	2.0	1.38	1.00	2.05	0.75	17.50	16	1.50	2.25
20-304	1/2	2.3	5.3	5.1	2.1	1.25	1.07	2.20	0.69	14	12	2.00	1.25
20-305	1/2	2.3	5.5	5.3	2.0	1.25	1.00	2.20	0.69	14	12	2.00	1.25
20-307	3/4	2.3	5.0	5.4	2.1	1.25	1.07	2.06	0.69	18	16	2.00	1.25
20-308	3/4	2.3	5.4	5.0	2.0	1.25	1.00	2.06	0.69	18	16	2.00	1.25
20-350*	1/2	2.3	5.3	5.1	2.1	1.25	1.07	2.20	0.69	14	12	2.00	1.25
20-351*	1/2	2.3	5.5	5.3	2.0	1.25	1.00	2.20	0.69	14	12	2.00	1.25
20-353*	3/4	2.3	5.0	5.4	2.1	1.25	1.07	2.06	0.69	18	16	2.00	1.25
20-354*	3/4	2.3	5.4	5.0	2.0	1.25	1.00	2.06	0.69	18	16	2.00	1.25