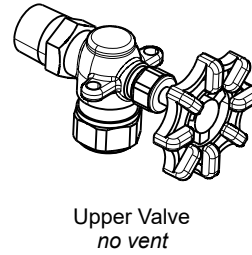
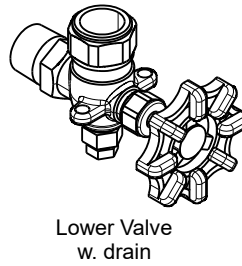
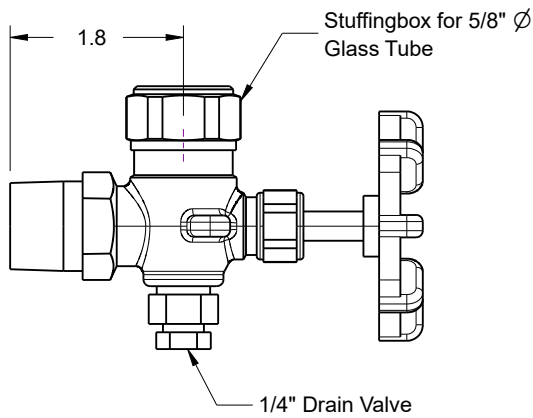
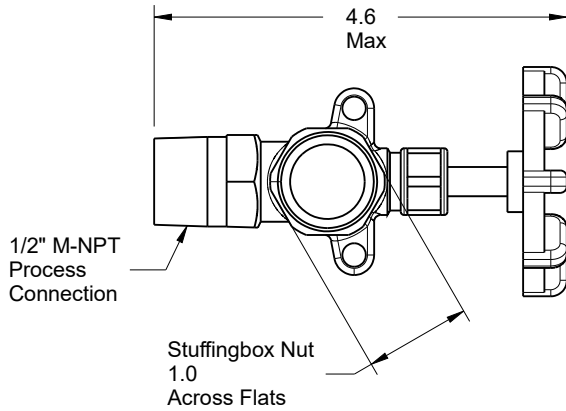


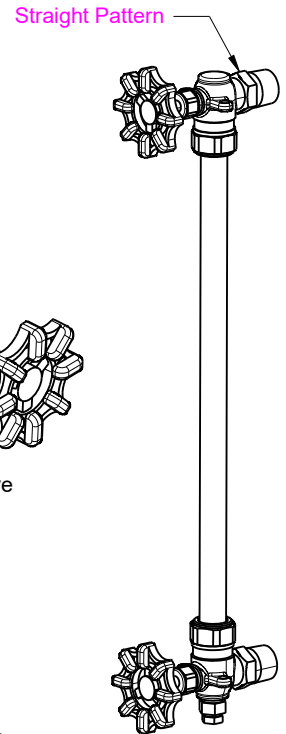
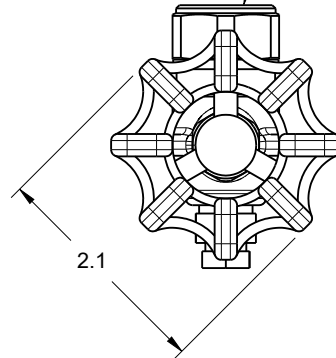
Conbraco 20-250

Tubular Glass Gage Valve

Straight Pattern



EDPM "Rubber" Glass Sleeve, std.



Conbraco / Glass Tube reference only

Weight per Set: 1.5 lbs

Design Detail

- * For use with 5/8" O.D. glass tube
- * Material: Red Brass, 7% Lead
- * Not suitable for drinking water
- * Rated: 400 psi @ 100° F
- * Features Safety Ball Checks in case of glass breakage
- * Glass tube length = C-C less 1.25"
- * CRN OF6616.5C
- * All tubular gage valves sold in match set: Upper & Lower



Replacement Parts



Stuffingbox Nut:
#9714, Brass



Packing Washer:
#9713, Brass



Glass Sleeve: \varnothing 5/8"
#9711, EDPM
#9712, Viton
#10118, TFE - Hypalon

Reference Documents

[20-250 Data Sheet](#)

[IOM](#)



Inferno Manufacturing Corporation
115 Ricou St. Shreveport, LA USA 71107
T (318) 221-8454 F (318) 222-4106
inferno@infernomfg.com

Drawing No: **Conbraco 20-250**

Drawing Date: 7/29/2020

Revision: 0

Rev Date:

© 2020 Inferno Mfg Corp

Sheet: 1/1