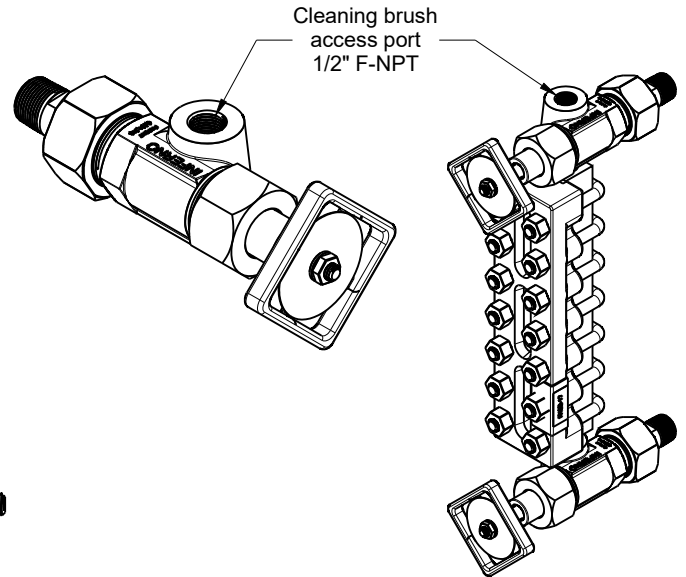
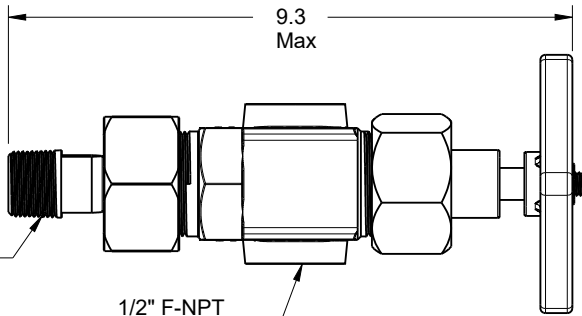
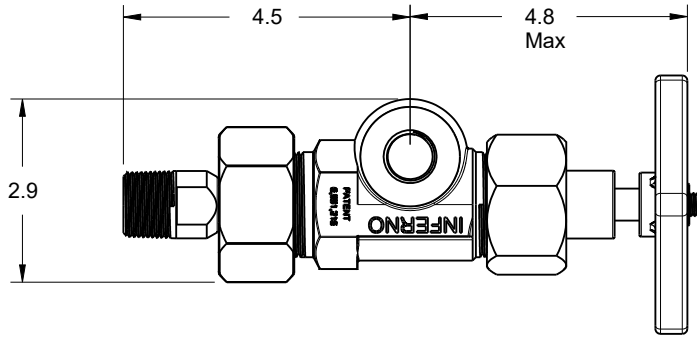


Model FT15

Offset Pattern Gage Valve



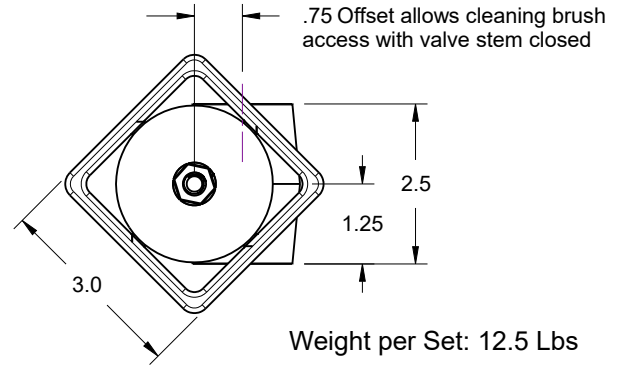
FT15 / HP Gage
reference only



1/2" or 3/4" M-NPT
Vessel Connction

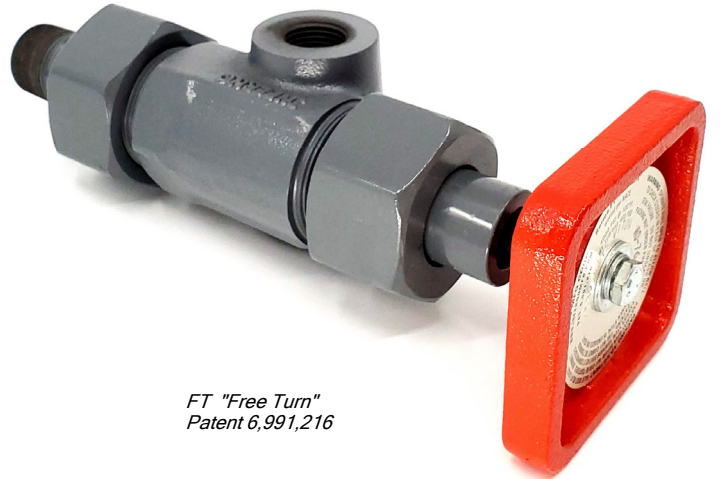
1/2" F-NPT
Vent / Drain
Standard

Cleaning brush access port



Design Detail

- * For use with Flat Glass style Column Gages
- * Forged Steel Construction standard, T316 SS optional
- * Patented Free Turn Design isolates the valve workings from salt water and H2S - preventing internal corrosion that causes conventional valves to seize.
- * Features Safety Ball Checks in case of glass breakage
- * Steel body and SS trim suitable for sour service
- * Standard Viton o'ring (400° F), Options: Aflas, Buna, TFE, Kalrez
- * Rated 4000 PSI @ 100° F



FT "Free Turn"
Patent 6,991,216

Reference Documents

[FT "Free Turn" Advantages](#)



Inferno Manufacturing Corporation
115 Ricou St. Shreveport, LA USA 71107
T (318) 221-8454 F (318) 222-4106
inferno@infernomfg.com

Drawing No: **FT15**

Drawing Date: 7/15/2020

Revision: 0

Rev Date:

© 2020 Inferno Mfg Corp

Sheet: 1/1