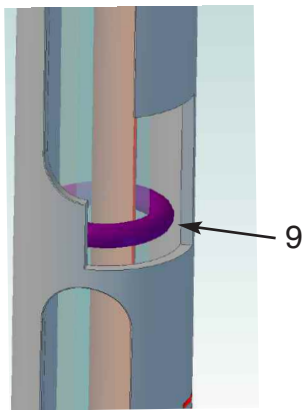
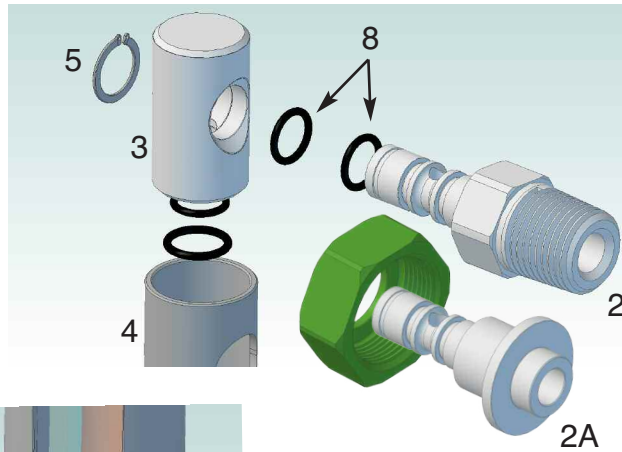


# Model ATS- Armored Tubular Sight Gage

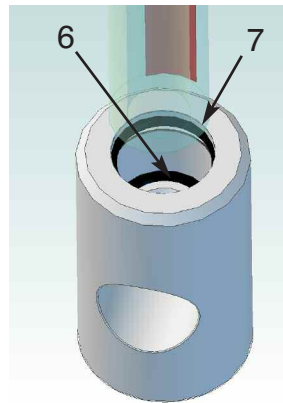
*Direct Connect to tank w NPT  
or join to Model 12T valves*



Model 6.00 ATS  
Direct Connect,  
with 1/2" M-NPT  
vessel connec-  
tions on 6"  
centers

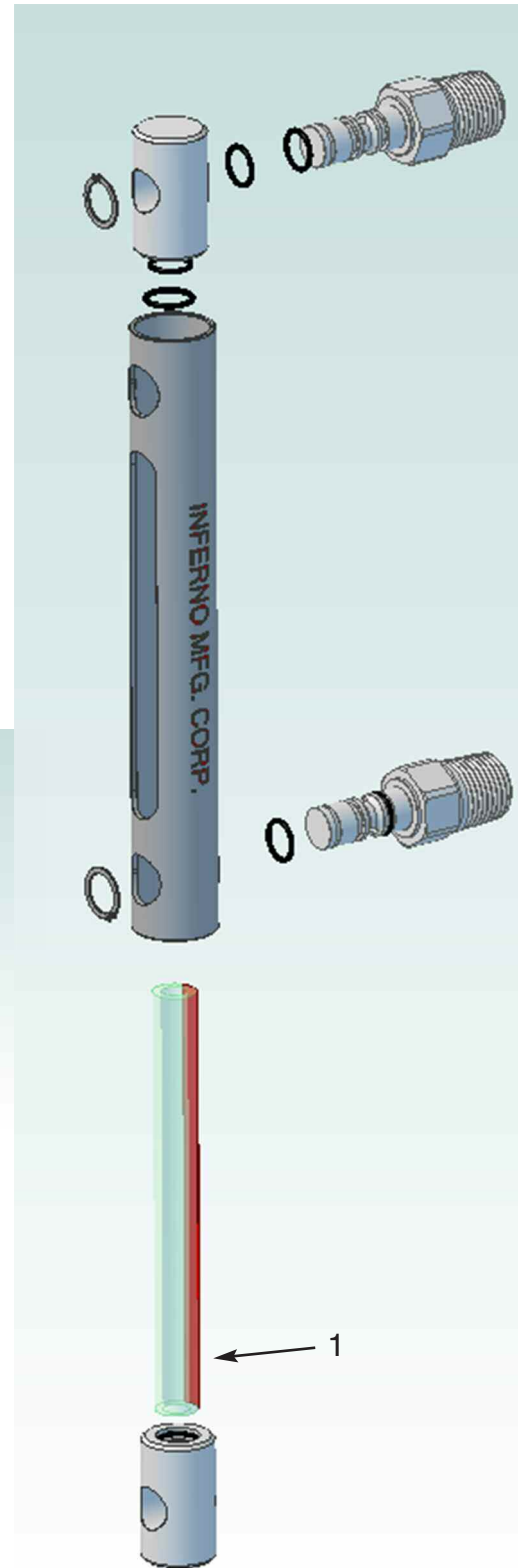


Stabilizer (9)- used  
on Armor with more  
than one window  
where C-C > 16"



Insert- Glass Seal (7)  
and end Bumper (6)

View Length = C-C less 1.6"



Inferno Mfg Corp  
Model ATS Armored Tubular Sight  
Glass Gage  
Drawing A161759  
Rev.: Ø Date: 3-16-16  
Rev. Date: N/A

Item	Description	Size	Material
1	Sight Tube	1/2" Ø x 3/32" . Red Line	Borosilicate Glass
2	Swivel	1/2" M-NPT	T316 SS
2A	Swivel for 12T		T316 SS
3	Insert		T316 SS
4	Armor	1" Ø	T304 SS
5	Retainer Clip		17-7 PH SS
6	Bumper	2-012	Viton
7	Glass Seal	3-906	Viton
8	Swivel Seal	2-012	Viton
9	Stabilizer	2-205	Viton