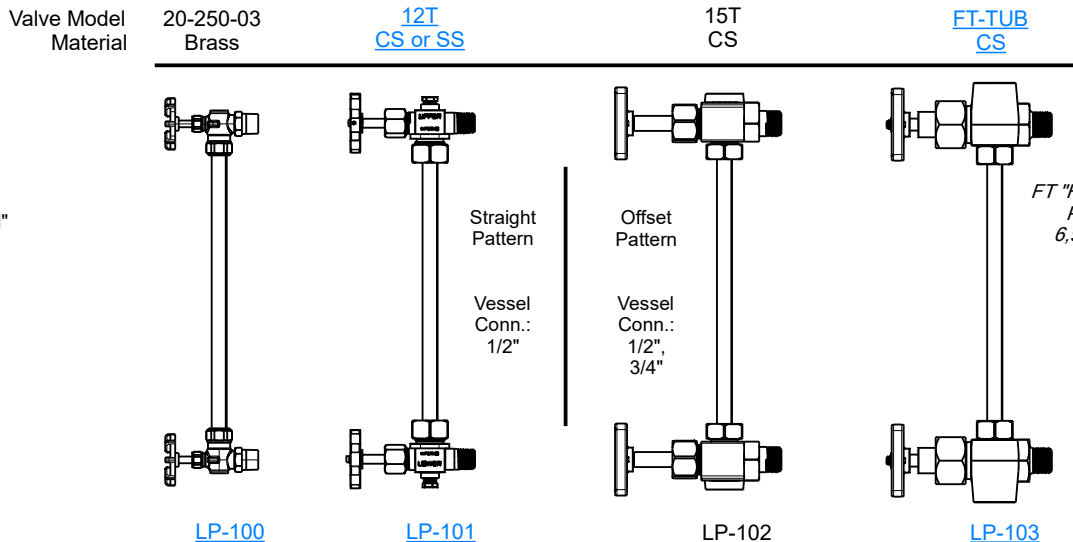


# Tubular Glass Type Level Gage - Choice of Isolation Valves

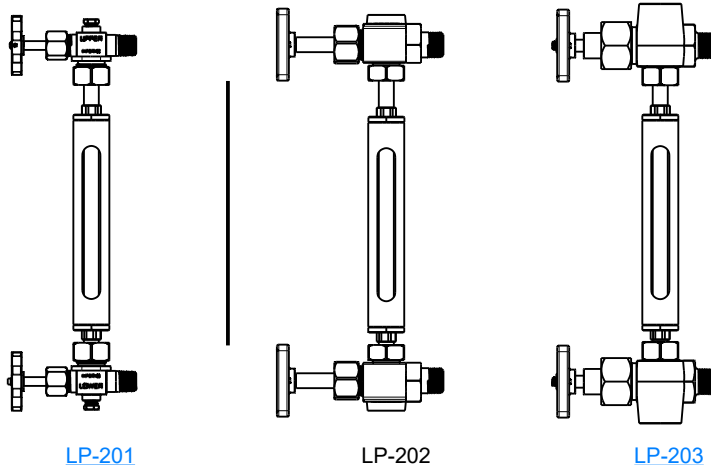
## Tubular Glass Non-armed

- \* Clear or Redline
- \* 5/8" O.D. x 7/16" I.D., or
- \* 5/8" O.D. x 1/4" I.D. "Extra Heavy Wall"
- \* Accessories:
  - Expanded Metal Guard Protector w. SS Hose Clamps
  - SS Guard Rods
  - Strongback for extended piping leg
- \* Offset Pattern valve body with 1/2" NPT vent / drain ports allow "straight through" access for cleaning brush. No glass disassembly required.



## Tubular Glass Armored Model TE

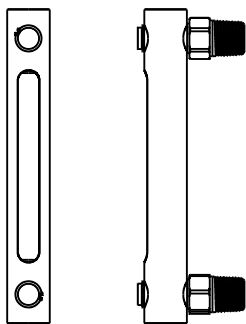
- \* Clear (Redline option)
- \* T316 SS wetted, T304 SS non-wetted
- \* 5/8" diameter smooth end fittings - fits 5/8" stuffingbox
- \* Armor: Slotted both front and back for see-thru visibility
- \* O-Ring Seals: Size -208, Viton (400° F max)
- \* Optional Lexan guard
- \* CRN 0F19193.5



## Armored Tubular Glass "Close Hook-Up" Clean Service Only Model ATS

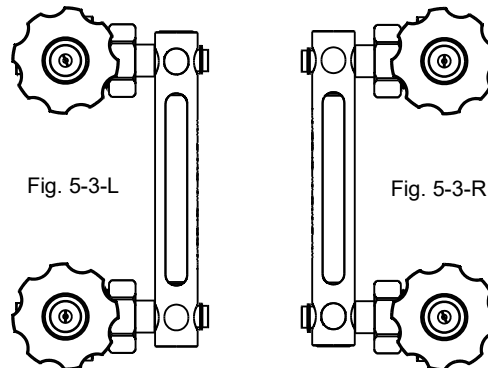
- \* T316 SS wetted, T304 SS non-wetted
- \* Redline glass tube for clear liquids
- \* 1/2" MNPT process connection
- \* Can be fitted with model 12T-CS or 12T-SS valves
- \* Recommended for fuel gas, clean water, clean solvent, etc... NOT for general oilfield
- \* Optional Lexan guard
- \* CRN 0F19193.5

### Direct Mount



LP-321

### With Isolation Valves Special adapter required



LP-322

### Reference Documents

[Expanded Metal Guard](#)

[Model TE](#)

[Model ATS](#)

[FT "Free Turn" Advantages](#)



**Inferno Manufacturing Corporation**

115 Ricou St. Shreveport, LA USA 71107

T (318) 221-8454 F (318) 222-4106

[inferno@infernomfg.com](mailto:inferno@infernomfg.com)

Drawing No: GA.ASSY-Tubular

Drawing Date: 7/9/2020

Revision: 0

Rev Date:

© 2020 Inferno Mfg Corp

Sheet: 1/1