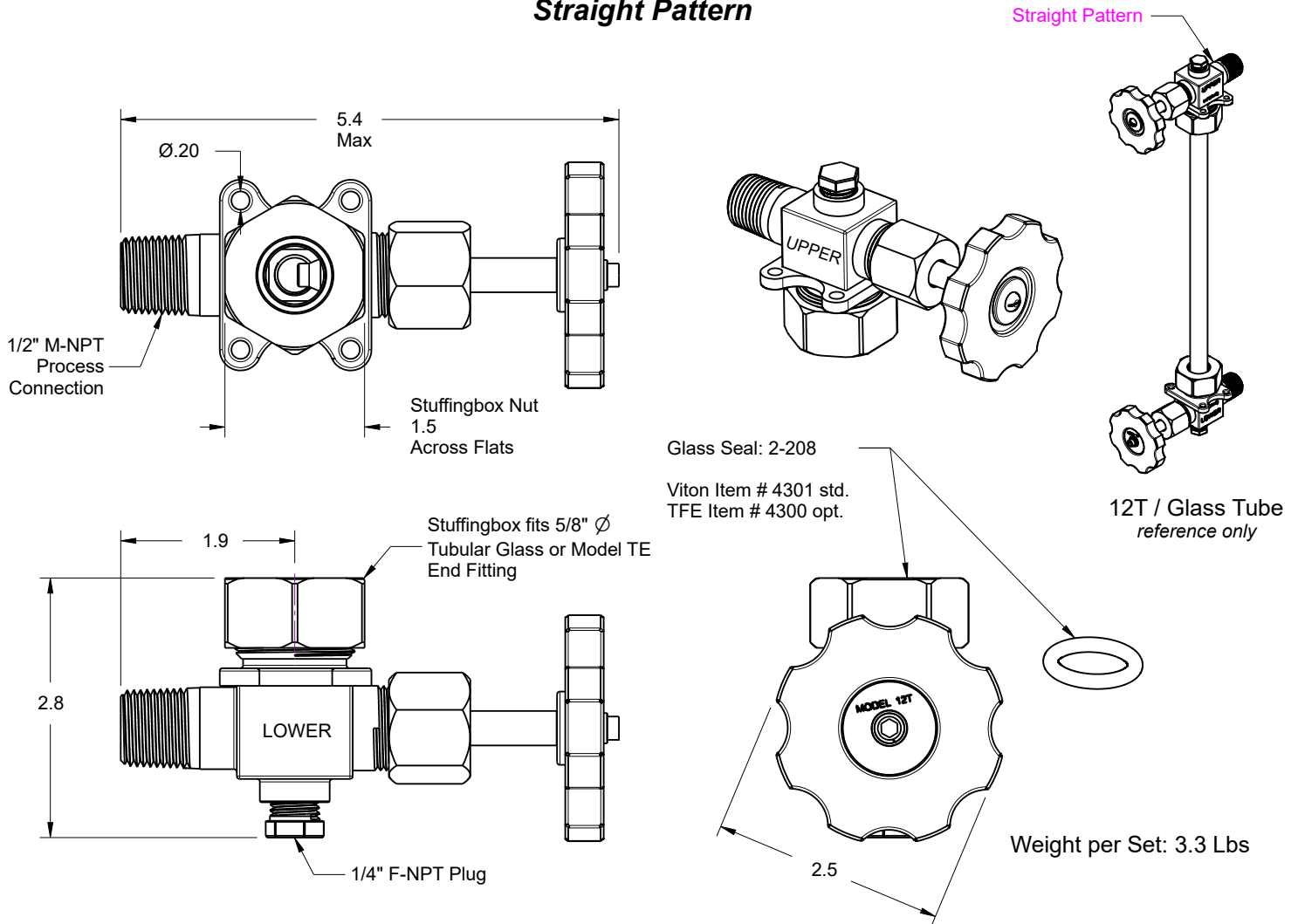


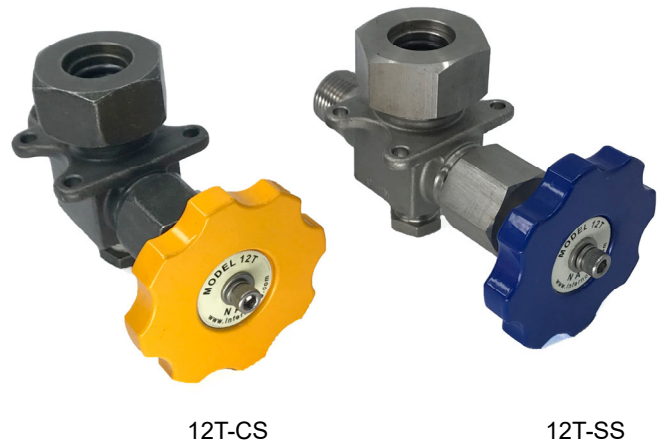
Model 12T

Tubular Glass Gage Valve Straight Pattern



Design Detail

- * For use with 5/8" O.D. glass tube or Model "TE" sight glass
- * Available in Carbon Steel and Stainless Steel
- * Features Safety Ball Checks in case of glass breakage
- * Model 12T-SS recommended for sour service
- * Standard Viton O'ring (400° F), Options: TFE, Buna, Aflas, Kalrez
- * Rated 600 PSI (limited by glass tube)
- * Glass tube and Model TE length = C-C less 2" ± .125
- * All tubular gage valves sold in match set: Upper & Lower



Reference Documents

- [12T Tubular Valve](#)
- [Hail Guard - Expanded Metal](#)



Inferno Manufacturing Corporation
 115 Ricou St. Shreveport, LA USA 71107
 T (318) 221-8454 F (318) 222-4106
inferno@infernomfg.com

Drawing No: **Model 12T**

Drawing Date: 7/17/2020

Revision: 0

Rev Date:

© 2020 Inferno Mfg Corp

Sheet: 1/1