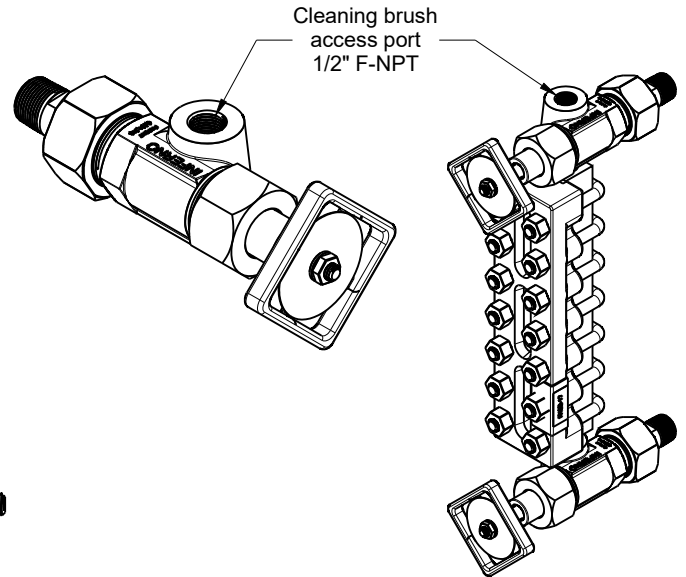
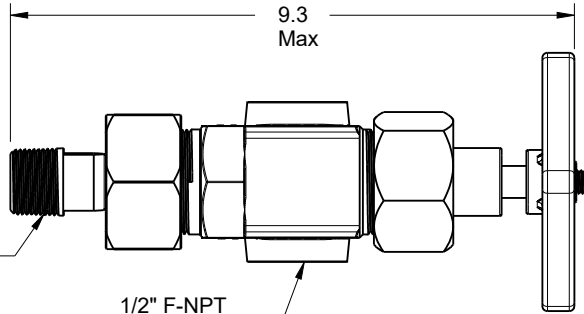
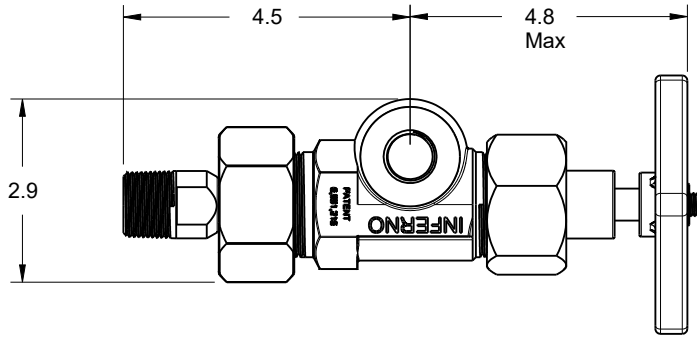


# Model FT15

## Offset Pattern Gage Valve



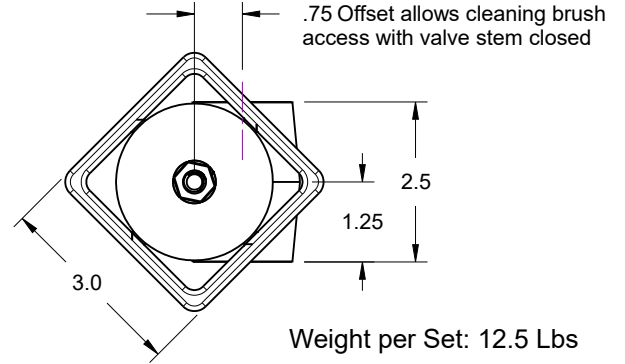
FT15 / HP Gage  
reference only



1/2" or 3/4" M-NPT  
Vessel Connction

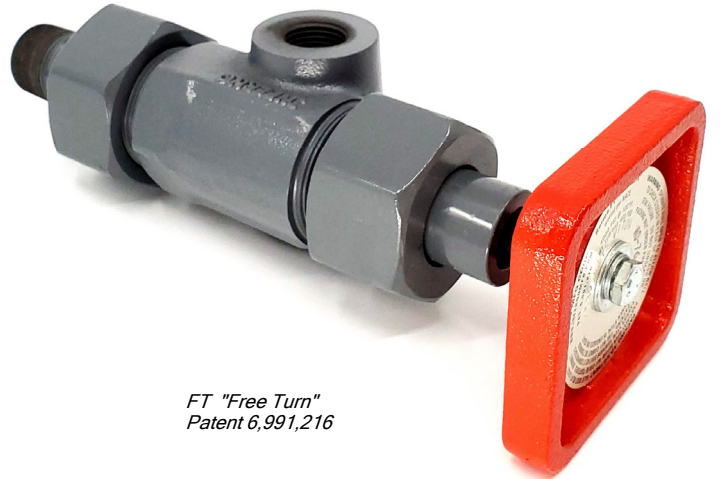
1/2" F-NPT  
Vent / Drain  
Standard

Cleaning brush access port



### Design Detail

- \* For use with Flat Glass style Column Gages
- \* Forged Steel Construction standard, T316 SS optional
- \* Patented Free Turn Design isolates the valve workings from salt water and H2S - preventing internal corrosion that causes conventional valves to seize.
- \* Features Safety Ball Checks in case of glass breakage
- \* Steel body and SS trim suitable for sour service
- \* Standard Viton o'ring (400° F), Options: Aflas, Buna, TFE, Kalrez
- \* Rated 4000 PSI @ 100° F



FT "Free Turn"  
Patent 6,991,216

Reference Documents

[FT "Free Turn" Advantages](#)



**Inferno Manufacturing Corporation**  
115 Ricou St. Shreveport, LA USA 71107  
T (318) 221-8454 F (318) 222-4106  
[inferno@infernomfg.com](mailto:inferno@infernomfg.com)

Drawing No: **FT15**

Drawing Date: 7/15/2020

Revision: 0

Rev Date:

© 2020 Inferno Mfg Corp

Sheet: 1/1